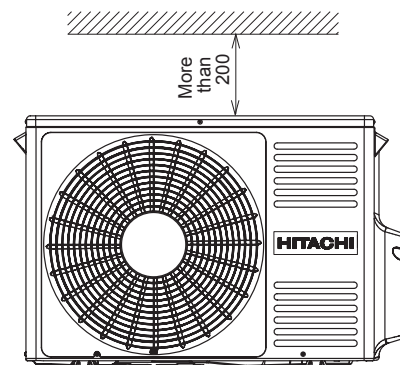
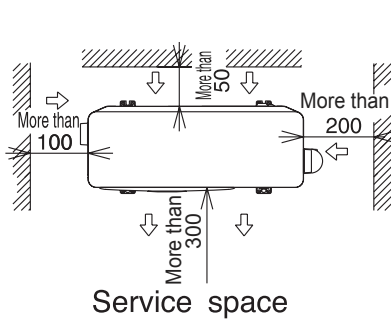
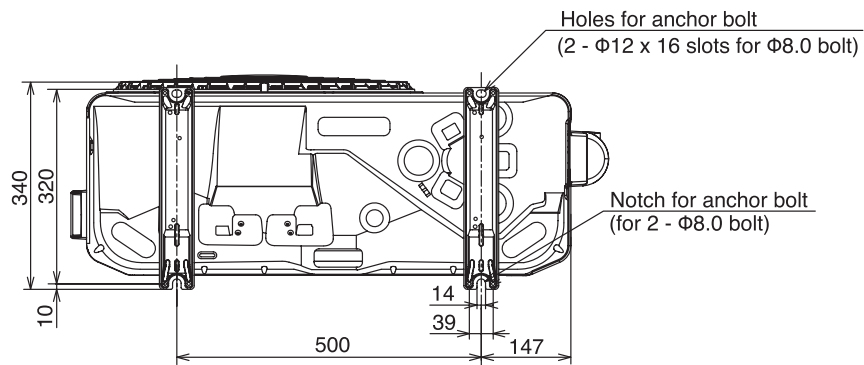
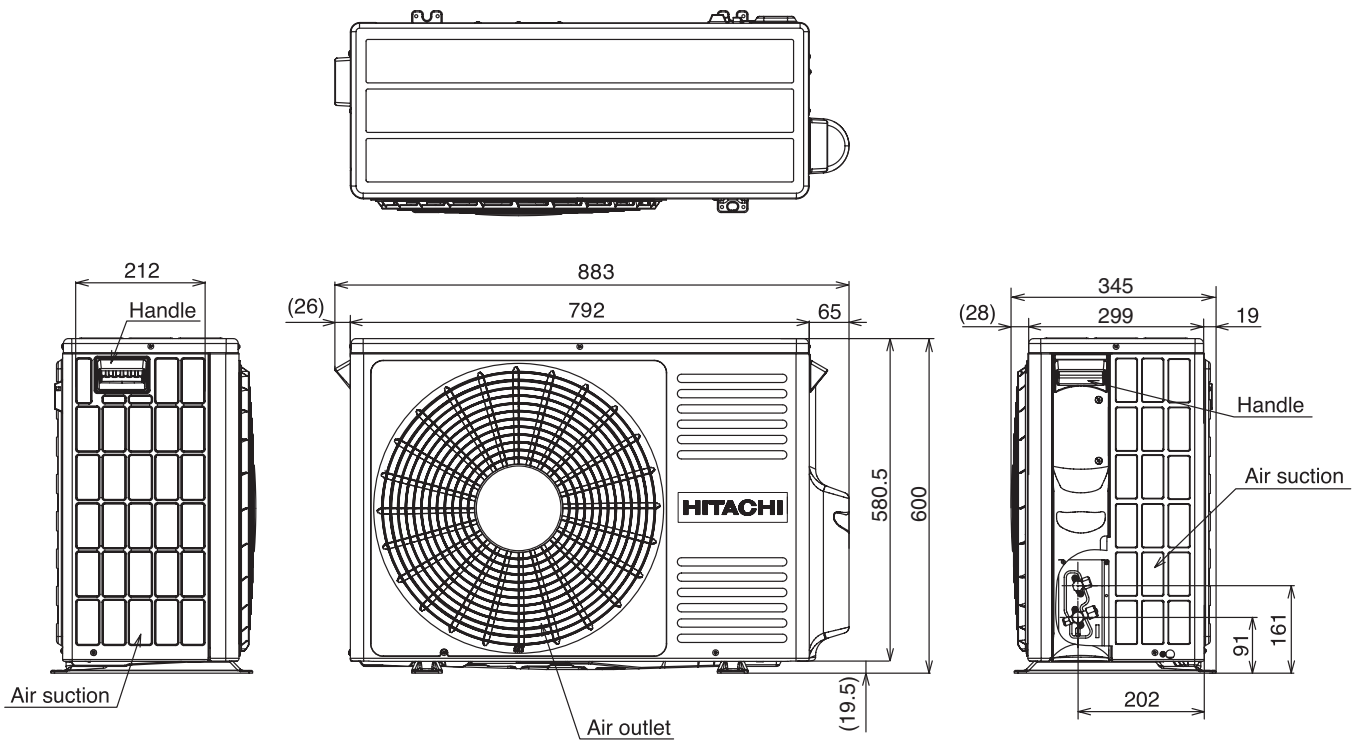


CONSTRUCTION AND DIMENSIONAL DIAGRAM

MODEL RAC-50WPB

OUTDOOR UNIT

Unit : mm



NOTE:

1. For outdoor unit installation, allow at least 2 sides of space around the unit ensure ventilation flue.
2. The connecting pipe, should all the insulated with insulation pipe.
3. Piping length is within 20m.
4. Height different of the piping between the indoor unit and outdoor unit should be within 10m.